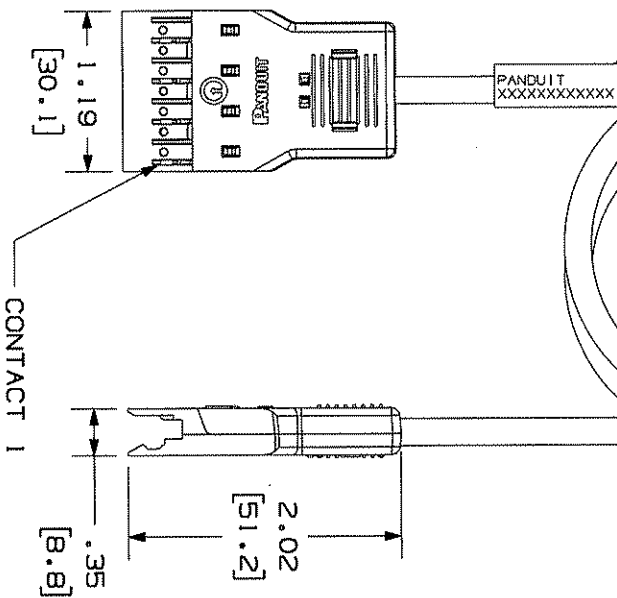


THIS COPY IS PROVIDED ON A RESTRICTED BASIS AND IS NOT TO BE USED IN ANY WAY DETRIMENTAL TO THE INTERESTS OF PANDUIT CORP.

IDENTIFICATION LABEL

TWIST TIE

CONTACT	WIRE COLOR
1	WHITE/BLUE
2	BLUE
3	WHITE/ORANGE
4	ORANGE
5	WHITE/GREEN
6	GREEN
7	WHITE/BROWN
8	BROWN



- NOTES:
- SEE CURRENT CATALOG FOR VARIOUS APPLICATIONS AND TO INDICATE PACKAGE QUANTITY.
  - 110 CONNECTORS ON BOTH ENDS. THE PATCH CORDS CAN BE USED WITH PANDUIT 110 RIBBON CONNECTING BLOCKS.
  - FEED WIRE THROUGH CLEAR CAP TO ENSURE PROPER WIRE SEQUENCE AND CONNECTION ORIENTATION. RETAINING CLIPS SECURE THE JACKET CLOSE TO THE POINT OF TERMINATION WHICH MINIMIZES WIRE UNTWISTING. INTEGRAL STRAIN RELIEF MINIMIZES STRESS ON WIRES DURING DISCONNECTION.
  - POLARIZED TO PREVENT REVERSE INSTALLATION TO CONNECTOR BLOCK.
  - CATEGORY 5e UNSHIELDED TWISTED PAIR CABLE WITH 24AWG STRANDED TINNED COPPER CONDUCTORS.
  - DIMENSIONS IN PARENTHESES ARE IN METRIC.

PANDUIT P/N	MIN. CABLE LENGTH	WEIGHT
P110PC4162Y	2 FT.	.83 LB./ 10 PCS (378.5 g./ 10PCS)
P110PC4163Y	3 FT.	1.05 LB./ 10 PCS (478.3 g./ 10PCS)
P110PC4164Y	4 FT.	1.25 LB./ 10 PCS (568.9 g./ 10PCS)
P110PC4165Y	5 FT.	1.48 LB./ 10 PCS (682.2 g./ 10PCS)
P110PC4166Y	6 FT.	1.67 LB./ 10 PCS (757.5 g./ 10PCS)
P110PC4167Y	7 FT.	1.82 LB./ 10 PCS (822.8 g./ 10PCS)
P110PC4168Y	8 FT.	2.09 LB./ 10 PCS (948.0 g./ 10PCS)
P110PC4169Y	9 FT.	2.30 LB./ 10 PCS (1043.9g./ 10PCS)
P110PC41612Y	12 FT.	2.93 LB./ 10 PCS (1328.0g./ 10PCS)
P110PC41615Y	15 FT.	3.58 LB./ 10 PCS (1614.8g./ 10PCS)
P110PC41618Y	18 FT.	4.19 LB./ 10 PCS (1900.6g./ 10PCS)
P110PC41619Y	18 FT.	.75 LB./ 10 PCS (342.0 g./ 10PCS)
P110PC41611Y	1M	1.09 LB./ 10 PCS (484.4 g./ 10PCS)
P110PC41611SMY	1.5M	1.44 LB./ 10 PCS (653.2 g./ 10PCS)
P110PC4162M	2M	1.79 LB./ 10 PCS (807.4 g./ 10PCS)
P110PC4163M	3M	2.19 LB./ 10 PCS (1120.5g./ 10PCS)
P110PC4165M	5M	3.52 LB./ 10 PCS (1748.1g./ 10PCS)

REV	DATE	BY	CHK	DESCRIPTION	ECN	R	CUST	SUP	OTH
R	3-17-06	NER	NER	RELEASED TO PRODUCTION.	02479-255		WAV		

DRAWING FILENAME: M02479JUS\_DC255\_00A.PRT

TITLE: CATEGORY 5e 110 PATCHCORD CUSTOMER DRAWING

SIZE: A

1:1 NUMBER

PRODUCT SPEC

WORK INSTRUCTION

SCALE: NONE

PART NO.: P110PC4\*\*\*\*Y

DRAWING NO.: 02479-255

DRAWN BY: NER

DATE: 3-17-06

REVIEW DRAWING NUMBERS:

ALL DIMENSIONS ARE GIVEN IN INCHES. DIMENSIONAL TOLERANCES ARE: (1.X) ± .031(.8) (1.XXX) ± .010(.3) ANGLES: ±

TINLEY PARK, IL 60477

PANDUIT CORP.